

USER MANUAL OF PROGRAM CARD(Option item)

Thank you for purchasing FEIGAO program card for brushless motor electronic speed controller (ESC). With this device, you can easily set the programming value of ESC. Now you can just forget the complicated and boring programming method with the throttle stick.

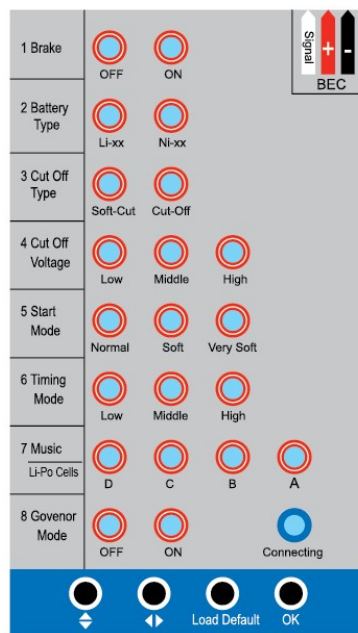
This program card has a friendly user interface and is easy to use. It is as small as a business card, so you could put it in your pocket when you are on field.

SPECIFICATION:

1. SIZE: 92.0mm * 52.5mm * 6.3mm
2. WEIGHT: 26g
3. ACCESSORY: A "Y" cable for connect program card with ESC

FRONT PANEL:

1. Use "up/down" button to select programming item, use "left/right" button to select item value;
2. Brake: When "Brake " is ON, the motor will stop immediately when throttle stick is moved to bottom;
3. Low Voltage Protection Mode (Cutoff Type): When "Soft-Cut" is selected, the ESC will gradually reduce the output power. When "Cut-Off" is selected, the ESC will immediately cut off the output power to motor.
4. Low Voltage Protection Threshold (Cutoff Voltage):
 - ◆ For Li-xx battery (Li-ion or Li-poly), number of battery cells are calculated automatically, Low / Medium / High cutoff voltage of each cell are: 2.5V/2.75V/3.0V. For example: 3 cells Li-Poly, when "Medium" cutoff voltage is set, the cutoff voltage is: $2.75 \times 3 = 8.25V$.
 - ◆ For Ni-xx battery (NiCad or NiMH), Low / Medium / High cutoff voltages are 60%/65%/70% of the startup voltage. For example: 6 cells NiMH battery, fully charged voltage is $1.44 \times 6 = 8.64V$, when "Low" cutoff voltage is set, the cutoff voltage is : $8.64 \times 60\% = 5.2V$. (**Remark:** For ESCs up to 40A, when using Ni-xx battery pack, the Low / Medium / High cutoff voltages are 0%,/50%/60% of the startup voltage, 0% means cutoff function is disabled)



5. Music/Li-Po Cells:

The 4 LEDs have different meanings for ESC with or without a postfix of "HV".

 - ◆ For ESC without a postfix of "HV", for example, "Pentium-40A", 4 LEDs has 16 combinations, representing 16 rhythms for ESC. (Please read Table 1)
 - ◆ For ESC with a postfix of "HV", for example, "Pentium-80A-HV", 4 LEDs represent the lithium battery cells number. (Please read Table 2)

CONNETING PROCESS:

1. Disconnect the power pack from ESC;
 2. Disconnect the BEC cable of ESC (trio wires) from receiver, then connect it to program card;
 3. Connect the power pack to ESC;
 4. The LEDs on program card will light, shows the current programming value of the ESC;
- Remark: THE SEQUENCE OF STEP 2 AND STEP 3 IS IMPORTANT! Please connect the BEC cable to program card first, and then connect the power pack to ESC. Otherwise, the program card cannot work properly.

MUSIC LIST:

Table 1: Music list ● = LED is lighting

No.	LED				MUSIC
	D	C	B	A	
1	○	○	○	○	Disable the music playing function
2	○	○	○	●	Susanna (USA)
3	○	○	●	○	To Alice (Germany)
4	○	○	●	●	Ode to joy (Germany)
5	○	●	○	○	Take off your hood (China)
6	○	●	○	●	Jasmine (China)
7	○	●	●	○	Red river valley (Canada)
8	○	●	●	●	Auld Lang Syne (Scotland)
9	●	○	○	○	Jingle Bells (USA)
10	●	○	○	●	Song of Matador (Spain)
11	●	○	●	○	The end of the world (USA)

FEIGAO Electric Motors Co., Ltd.

Room 2308, Jia Cheng Ge, Hua Zhang Ming Fu ,
No.217, First Block of Wan Jia Li Zhong Road
Chang Sha City, Hu Nan Province, P.R.China 410016

WWW.FEIGAO.COM

TEL: 86-731-2925964

FAX: 86-731-2925951



Enjoy your R/ C models with **FEIGAO**

Program Card User Manual for FEIGAO Brushless ESC Series (OPTION ITEM)

12	●	○	●	●	Rhythm of triumph (Germany)
13	●	●	○	○	Love is blue (USA)
14	●	●	○	●	Beautiful Spanish lady (Italy)
15	●	●	●	○	Post carriage (Japan)
16	●	●	●	●	Love bird (China)

LI-POLY CELLS NUMBER LIST:

Table 2: Li-Poly cells number list ● = LED is lighting

No.	LED				Li-Poly Cells Number
	D	C	B	A	
1	○	○	○	○	Auto detect
2	○	○	○	●	2 CELLS (7.4V)
3	○	○	●	○	3 CELLS (11.1V)
4	○	○	●	●	4 CELLS (14.8V)
5	○	●	○	○	5 CELLS (18.5V)
6	○	●	○	●	6 CELLS (22.2V)
7	○	●	●	○	7 CELLS (25.9V)
8	○	●	●	●	8 CELLS (29.6)
9	●	○	○	○	9 CELLS (33.3V)
10	●	○	○	●	10 CELLS (37.0V)
11	●	○	●	○	11 CELLS (40.7V)
12	●	○	●	●	12 CELLS (44.4V)
13	●	●	○	○	Auto detect
14	●	●	○	●	Auto detect
15	●	●	●	○	Auto detect
16	●	●	●	●	Auto detect

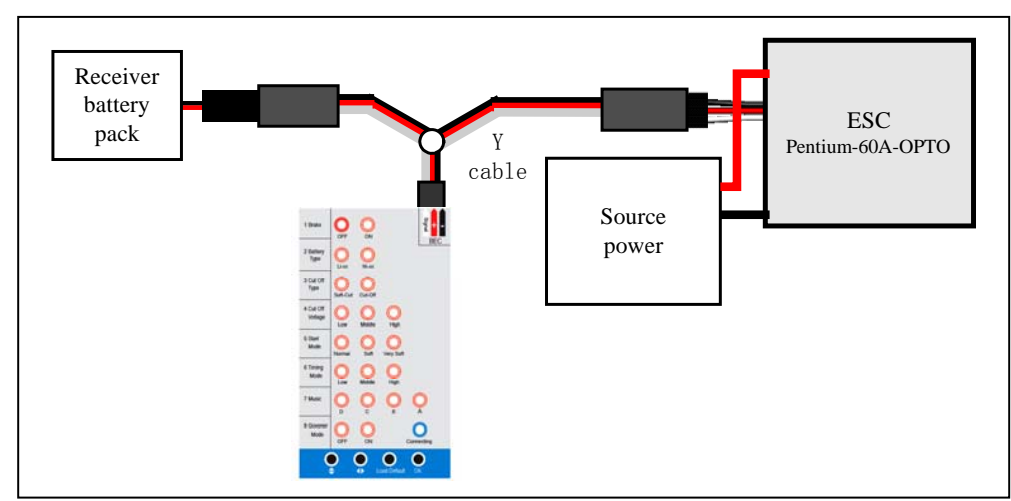
OPERATION:

Press “up/down” button, you can select the program item, the corresponding LED will flash. Then press “left/right” button to select the item value, the flashing LED shows the value you are selecting. Finally, press “OK” button, the blue LED will flash, means the programming value is being transmitted to ESC. When the data transmission is finished, the blue LED stop flashing, it means the new settings are accepted and stored in ESC.

USE A PROGRAM CARD TO PROGRAM THE ESC OF OPTO:

If the ESC is marked with “BEC OPTO”, that means this ESC hasn’t a built-in BEC (Battery Elimination Circuit), so you should use a additional battery pack to power the program card, and usually a receiver battery pack is a good choice. In such a case, a “Y” cable is needed. You can find the “Y” cable in the package.

Remark: You must connect the receiver battery pack before connect the source battery pack.



DECLARATION:

This program card is ONLY suitable for the ESC of the same manufacturer. Please ask your retailer for detail product information.

FEIGAO Electric Motors Co., Ltd.
 Room 2308, Jia Cheng Ge, Hua Zhang Ming Fu ,
 No.217, First Block of Wan Jia Li Zhong Road
 Chang Sha City, Hu Nan Province, P.R.China 410016

WWW.FEIGAO.COM
 TEL: 86-731-2925964
 FAX: 86-731-2925951